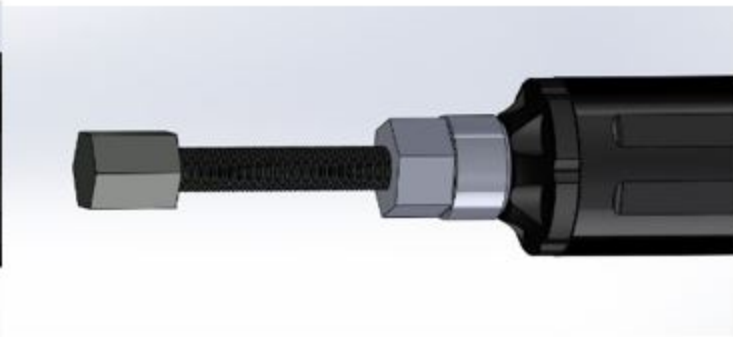




Grease and then insert .30 cal or .223 brass piece depending on suppressor size.



Thread insert into breach end as shown. Insert fits both 1/2-28 and 5/8-24.



Use two wrenches to hold insert, while simultaneously turning threaded rod. Baffles will push out muzzle end of disassembled suppressor. **NEVER** clamp on suppressor tube.