

MACK BROTHERS BOLT ACTION RECEIVER

WARNING

ALWAYS INSURE THE FIREARM IS UNLOADED AND ON SAFE

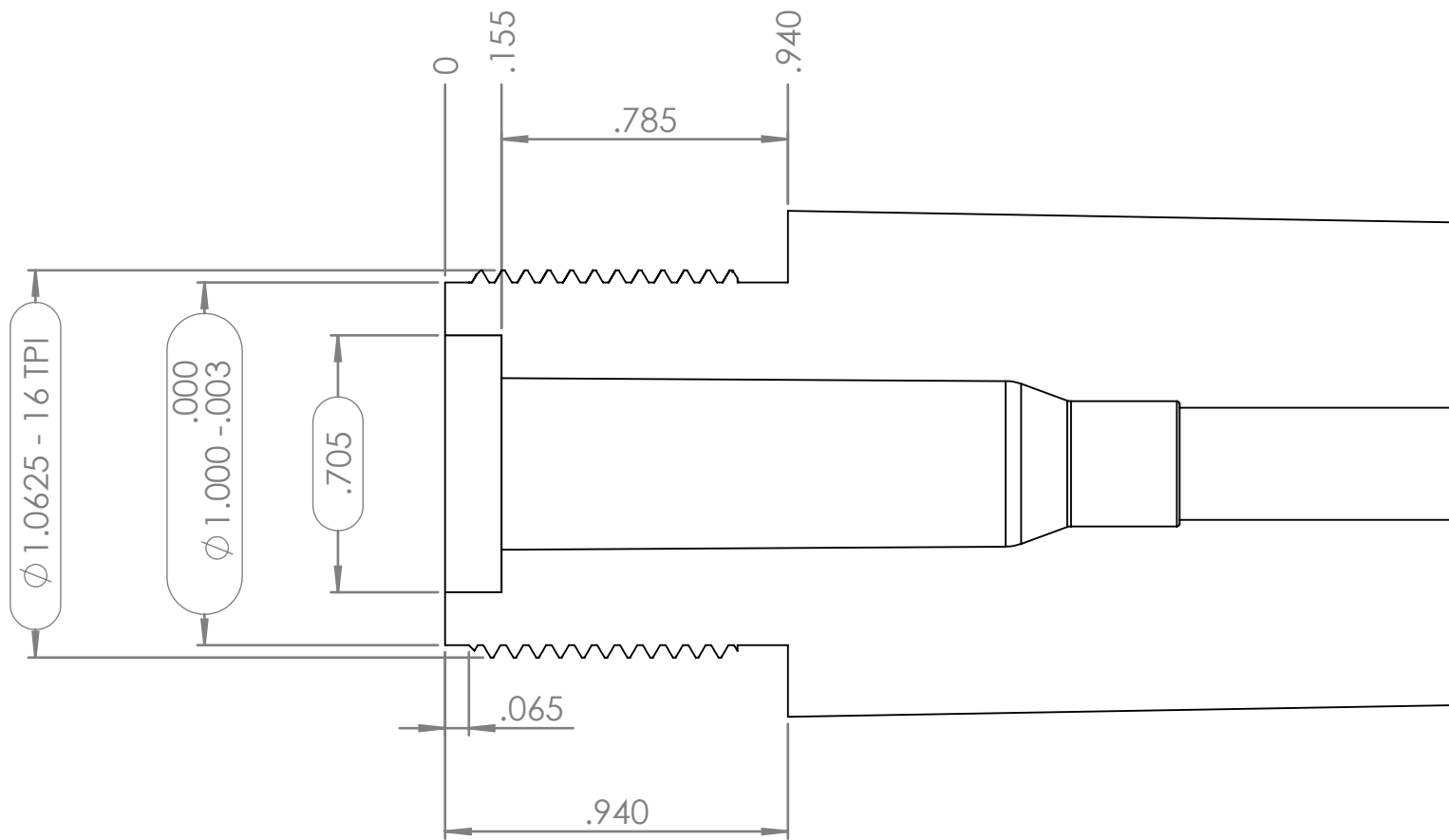
1. Fitting a barrel to the receiver must be performed by a competent gunsmith and the threaded tenon specifications supplied should be confirmed before any barrel and chamber fitting is performed.

LIMITED LIFETIME WARRANTY

2. This warranty covers any defects in workmanship and materials for the lifetime of the original owner. This warranty does not cover damage to the firearm caused by hand-loaded ammunition, misuse, negligence, abuse, modifications not related to manufacturing defects.

DISCLAIMER OF LIABILITY

3. Mack Brothers assumes no liability for damage and or injuries that result in whole or in part from improper installation, product malfunctions, negligent, criminal, improper use, and reloaded or defective ammunition.



PROPRIETARY AND CONFIDENTIAL
THE INFORMATION CONTAINED IN THIS
DRAWING IS THE SOLE PROPERTY OF
HORIZON MACHINE and MACK BROS.
ANY REPRODUCTION IN PART OR AS A
WHOLE WITHOUT THE WRITTEN PERMISSION
OF HORIZON MACHINE and MACK BROS
IS PROHIBITED.

		UNLESS OTHERWISE SPECIFIED: DIMENSIONS ARE IN INCHES		NAME	DATE
		SURFACE FINISH $\sqrt{16}$ FRACTIONAL $\pm 1/64"$ ANGULAR: MACH ± 0.1 BEND ± 0.5 TWO PLACE DECIMAL $\pm .005$ THREE PLACE DECIMAL $\pm .002$ FOUR PLACE DECIMAL AS NOTED. INTERPRET GEOMETRIC TOLERANCING PER: ASME Y14.5-2009		DRAWN	RM 7/19/2022
		MATERIAL		CHECKED	
		FINISH		ENG APPR.	
NEXT ASSY	USED ON			MFG APPR.	
APPLICATION		DO NOT SCALE DRAWING		Q.A.	
				COMMENTS: NO BURRS OR SHARP EDGES ALLOWED. UNLESS NOTED INSIDE CORNER RADIUS SHALL NOT BE LARGER THAN .010	

MACK BROS		
TITLE: BARREL TENON DRAWING FOR BOLT ACTION RECEIVER		
SIZE	DWG. NO.	REV
B		A
SCALE: 1:1	WEIGHT:	SHEET 1 OF 2